

## EQUIPMENT DATA SHEET - SUBMERGED 1.5PS ELECTRIC PUMPS

Responding to customers requirements and requests for a modular portable Ballast Pumping system, ALE has introduced the 1.5PS range of Electric Submersible Pumps.

Primarily supplied as an integrated set of 26 Pumps complete with Power Cables, Discharge hoses, and rated Switching Panels ALE can transport a single 40ft Container set to anywhere in the world.



The Pumps are supplied with a tough flexible 6 inch discharge hose fitted with quick release clasps for easy installation. and layout.



Each set of 26 Pumps contains four Switch control panels connected to a site mains, or generator power supply of 380-440V / 60Hz.



Complementing ALE's larger 4PS electric Pumps and the extensive fleet of ALE's Hydraulic Submersible pumps, the 1.5PS Electric Pumps produce up to 150Cu.M/Hr of flow.

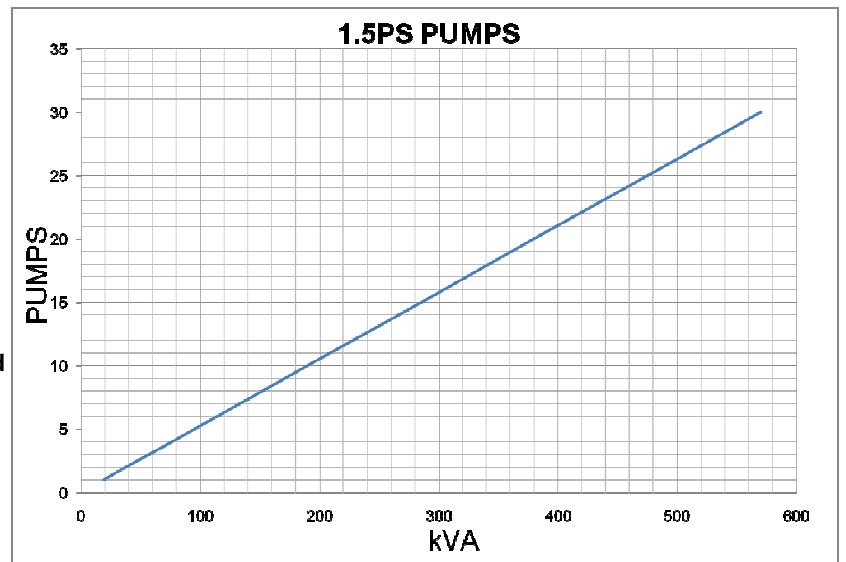
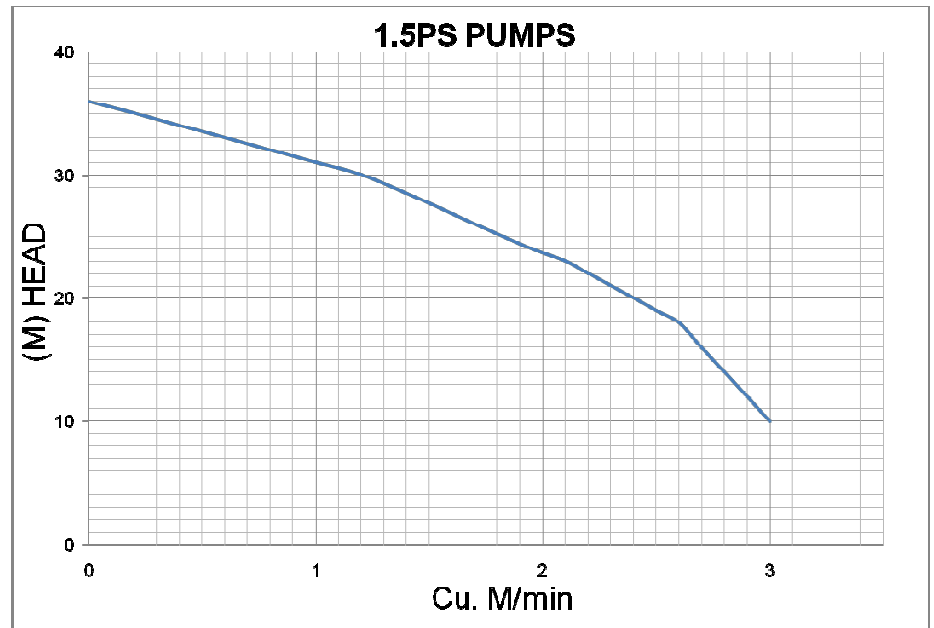
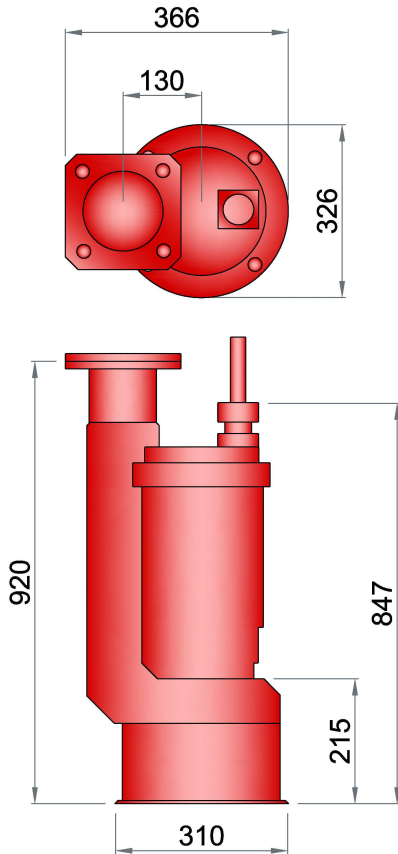
Options include a alternate Low flow High head Impellor for specific Tasks.



For reference only



## EQUIPMENT DATA SHEET - SUBMERGED 1.5PS ELECTRIC PUMPS



**CONSTRUCTION:** Cast Iron body  
**SIZE:** 310 Dia x 920  
**WEIGHT:** 200Kg  
**OUTPUT:** 2.5 Cu.M/min @ 20m Head  
**POWER:** 20 HP 15 KW  
**SUPPLY:** 380-440V 50/60Hz  
**POWER:** 25A/19kVA @ 440V 60Hz  
**PROTECTION:** MCCB 40-50A 30/38kVA  
**OVERLOAD**  
**RELEASE:** <10ms

For reference only

