

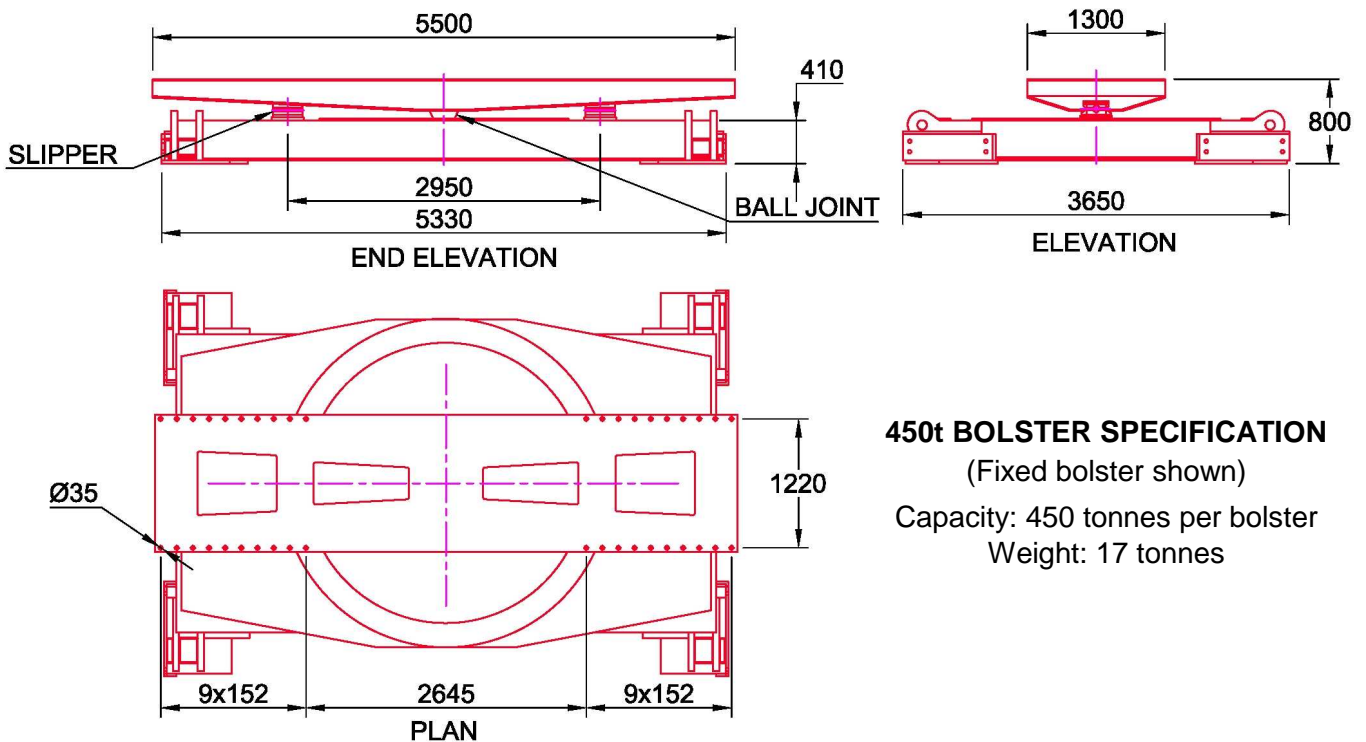
## EQUIPMENT DATA SHEET - BOLSTERS - 450t

For the transport of particularly long vessels or modules where manoeuvrability on the route is essential, ALE have a range of bolsters to meet this requirement.

The bolsters allow the load to be supported on two turntables which offer the operators more flexibility to negotiate obstacles on the route such as sharp corners, roundabouts, etc.

Stability is maintained using the hydraulic suspension of the trailers which support the cargo via the slippers on the bolster positioned either side of the ball joint.

The cargo can either be bolted to the top of the bolster or welded using cleats to a sacrificial plate we can supply.



**450t BOLSTER SPECIFICATION**  
 (Fixed bolster shown)  
 Capacity: 450 tonnes per bolster  
 Weight: 17 tonnes

For reference only

