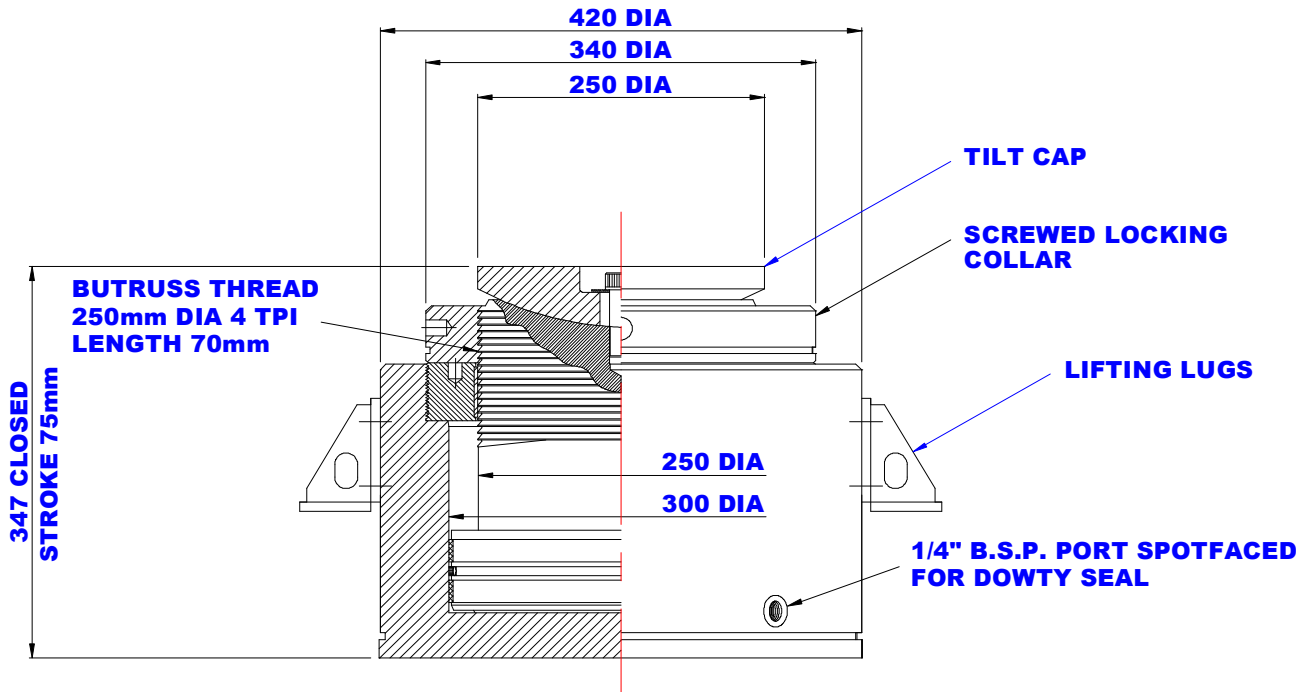


## EQUIPMENT DATA SHEET - 500te SCREWED LOCKING COLLAR JACK



**500Te/700 BAR WORKING PRESSURE**  
**SINGLE ACTING JACK WITH SCREW LOCKING COLLAR**  
**75mm STROKE**

(APPROX. WT. 340 Kg AS SHOWN)

- Threaded Locking Collar
- Load Bearing Glands
- Load Bearing Piston
- One Piece Construction Rod-Piston
- Swivel Tilt Cap  $\pm 5^\circ$
- Maximum Pressure 700 bar (adjustable)
- Stroke 75mm / 300mm
- Mineral Oil (consult ALE on other Fluids)
- Lifting Lugs Standard



For reference only

