

EQUIPMENT DATA SHEET - SUBMERGED BALLAST PUMPS

The backbone of ALE's Ballasting System is two sizes of hydraulically driven, submersible sea water pumps.

When coupled to the ALE self-contained, diesel driven power pack produce flow delivery rates of 1000 to 2400 cu.m/hour.

The 10 PS unit is intended for installation in barge tanks for de-ballasting operations, while the 24 PS is primarily designed as a high capacity ballasting pump.



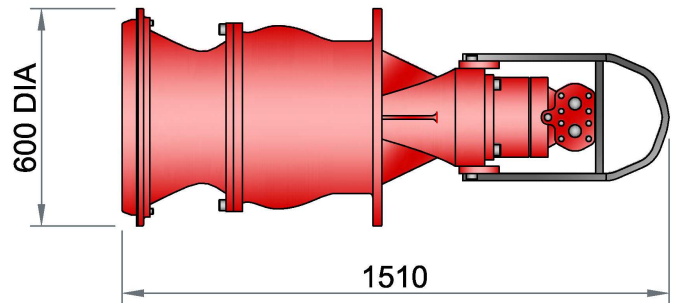
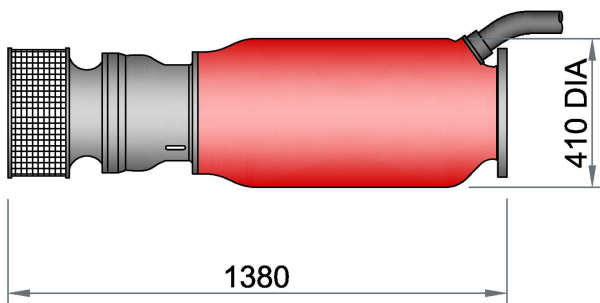
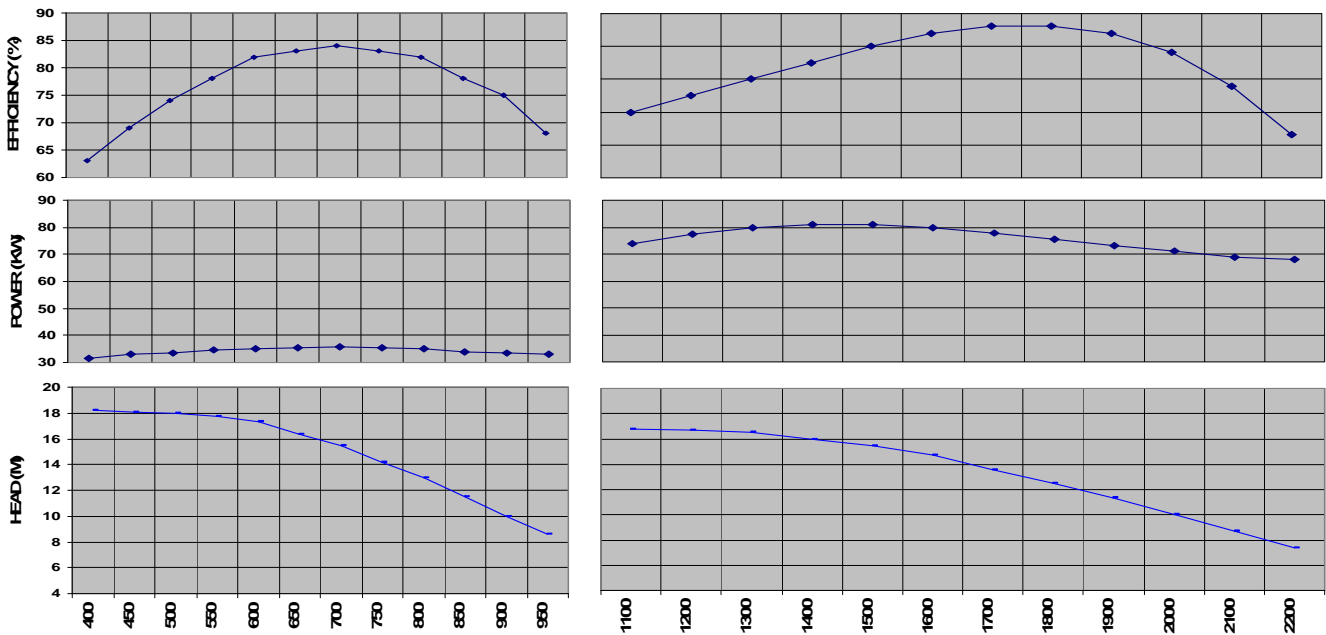
The ALE barge Ballasting System comprises of:-

- Hydraulically driven, high capacity, submersible pumps.
- Self-contained, diesel driven power packs.
- Flow distribution and control elements.
- Central control and Computer monitoring.
- Computer Barge Monitoring System.
- Engineering and Barge survey.



For reference only

EQUIPMENT DATA SHEET - SUBMERGED BALLAST PUMPS



CONSTRUCTION: Cast leaded gunmetal body & impeller, stainless steel shaft & cast iron bell housing.

SIZE: 410 Dia x 1378 with housing
355 Dia x 1100 without housing

WEIGHT: 240Kg with bell housing
135Kg without bell housing

SPEED: 1850—2300RPM

CONSTRUCTION: Cast leaded gunmetal body & impeller, stainless steel shaft.

SIZE: 600 Dia x 1511

WEIGHT: 480Kg

SPEED: 1850—2300RPM

For reference only

