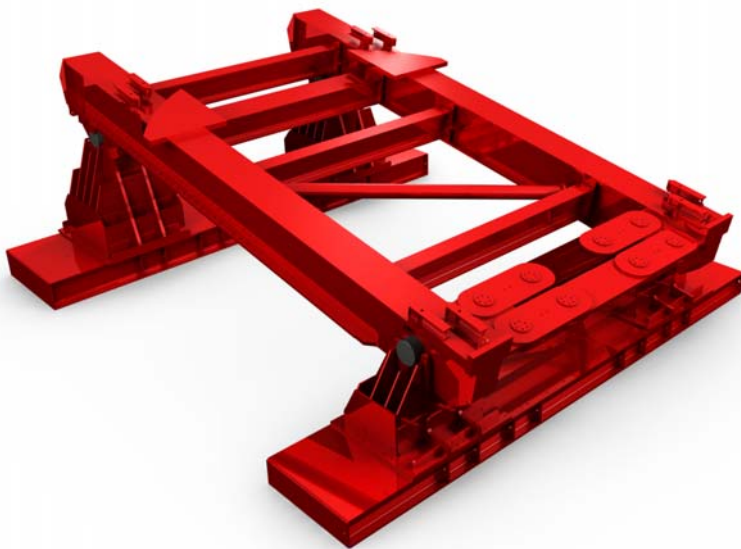
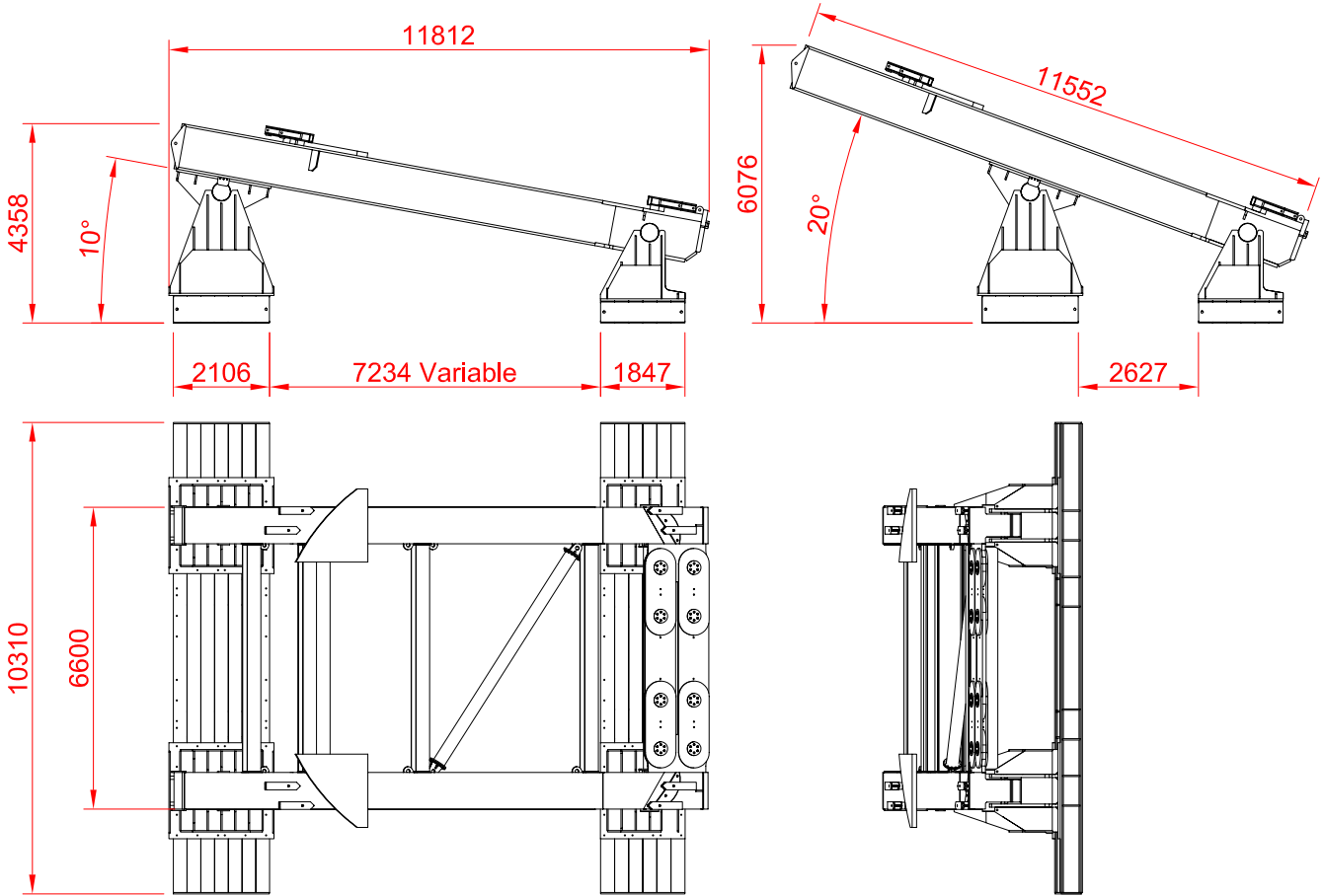


EQUIPMENT DATA SHEET - 3000 T TAILING FRAME



TAILING FRAME	
EQ NUMBER:	010121
REVISION:	A
CAPACITY:	3000T
DIMENSIONS:	11909x7700x3900
WEIGHT:	124100 kg
AVAILABLE:	1
MATERIAL:	S355

EQUIPMENT DATA SHEET - 3000 T TAILING FRAME

ALE use tailing frames to assist in the uprighting of Long vessels or modules from the horizontal to the vertical. Tailing frames offer an alternative to a crane for the tail lift where crane availability, access restriction or ground loadings are an issue. The upper frame is fixed to the base of the vessel and the front two foots. As the the center of gravity position approaches the primary pivot point, a suitable secondary pivot point is utilized to complete the up-righting operation. ALE have a range of tailing frames to suit various vessels weights, ring diameters and center of gravity positions.



3000t Tailing Frame
Capacity 3000 tonnes

